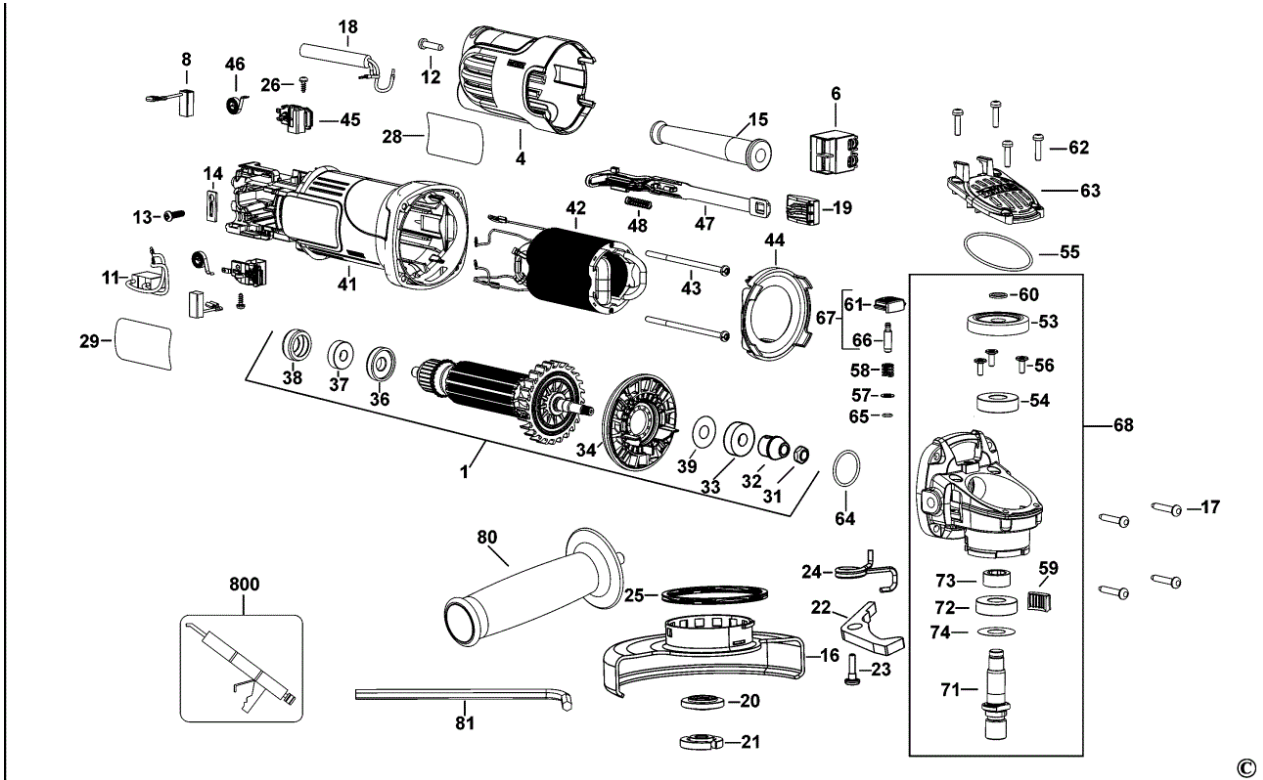


Part Lists & Sheme Angle grinder 800 W, DEWALT DWE4056



Part Lists & Sheme Angle grinder 800 W, DEWALT DWE4056

Item No.	Product Number	Qty Per	Product Description	Type
1	N181765	1	ARMATURE SA	230V
1	N419588	1	ARMATURE SA	120V
4	N105642	1	HOUSING	
6	N442171	1	SWITCH	HV
6	N442172	1	SWITCH	LV
8	N183725	1	BRUSH PAIR	230V
8	N183726	1	BRUSH PAIR	120V
11	N442344	1	CAPACITOR SA	
11	N442344	1	CAPACITOR SA	
12	N017839	1	SCREW	M4 x 17mm T15
13	562097-00	1	SCREW	4.2 x 13mm
14	619328-00	1	CORD CLAMP	
14	N194291	1	CORD CLAMP	
15	N415024	1	CORD PROTECTOR	
15	401088-03	1	CORD PROTECTOR	
16	N143896	1	GUARD	115MM
17	330065-31	4	PLASTIC SCREW	M4 x 22 - T15
18	N133091	1	CORDSET (M/PLUG) GB	GB
18	N133092	1	CORDSET	LX
19	N097844	1	BUTTON	
20	391969-00	1	INNER FLANGE	
21	N134466	1	OUTER FLANGE	M14
22	N136731	1	LEVER	
23	N137733	1	SCREW	M4 X 0.7 TRIROUNDULA
24	N105579	1	SPRING	
25	N135116	1	WASHER SPRING	
26	593478-00	2	SCREW	M3 X 8
28	N149175	1	BRAND LABEL	
29	N437127	1	RATING PLATE	GB
29	N437128	1	RATING PLATE	LX
31	604484-00	1	NUT	M6
32	N095840	1	PINION	9T
33	N214432	1	BEARING	8 x 22 x 7
34	N132042	1	BAFFLE	
36	N118549	1	SPACER	
37	N130916	1	BEARING	
38	641823-00	1	SLEEVE	
39	N213812	1	WASHER	
41	N105641	1	FIELD CASE	

Item No.	Product Number	Qty Per	Product Description	Type
42	N185183	1	FIELD 230V	
42	N185184	1	FIELD 120V	120V
43	N098351	2	SCREW	
44	N129051	1	BAFFLE	
45	N097702	2	BRUSHBOX	
46	N097703	2	SPRING	
47	N093409	1	LINK	
48	N093410	1	SPRING	
53	N097361	1	GEAR	32T
54	N150961	1	BEARING	
55	N094024	1	O RING	
56	N118088	3	SCREW	M3 X 0.5
57	N094651	1	WASHER	
58	N092954	1	SPRING	
59	N126708	1	INSERT	
60	444793-00	1	CIRCLIP	
61	N126105	1	BUTTON	
62	N122904	4	SCREW	M3.5 X 0.6
63	N116180	1	GEARCASE COVER	
64	N119639	1	O RING	
65	N094012	1	O RING	
66	N114592	1	SPINDLE LOCK	
67	N181767	1	SPINDLE LOCK	
68	N235320	1	GEARCASE SA	M14
71	N110057	1	SPINDLE	M14
72	N150961	1	BEARING	
73	N095815	1	SLEEVE	
74	638229-00	1	WASHER	
80	562211-00	1	HANDLE SIDE SA	
81	N107295	1	HEX KEY 6 MM	
800	583534-00	1	GREASE 50 GMS	Rheolube 380G1